

UV DISINFECTION
SYSTEMS

Elektravägen 53
SE-126 30 Hägersten, Sweden
+46 10 252 30 00
www.mellifiq.com

Saniray Zeeron A-Series



The Saniray Zeeron A-series is engineered and designed to cater to a spectrum of industries, spanning from food & beverage and pharmaceuticals to healthcare, electronics, beverage production, and aquaculture.

Engineered with energy-conscious UV light sources and adaptable power configurations, our Zeeron A-Series delivers a compact solution with horizontally installed configurations with thread connections for quick installation. Units are delivered with ballasts and control panel.

Saniray offer unparalleled UV disinfection technology with the Zeeron A-series UV Disinfection system, meticulously designed to surpass industry standards, guaranteeing optimal efficiency and efficacy in water treatment applications.

Benefits

- Compact reactors for easy installation
- UV sensors and monitor offering LED alarm
- Low energy consumption
- Designed for industrial applications
- Wide range of water treatment
- State-of-the-art UV treatment technology
- Diverse technical uses



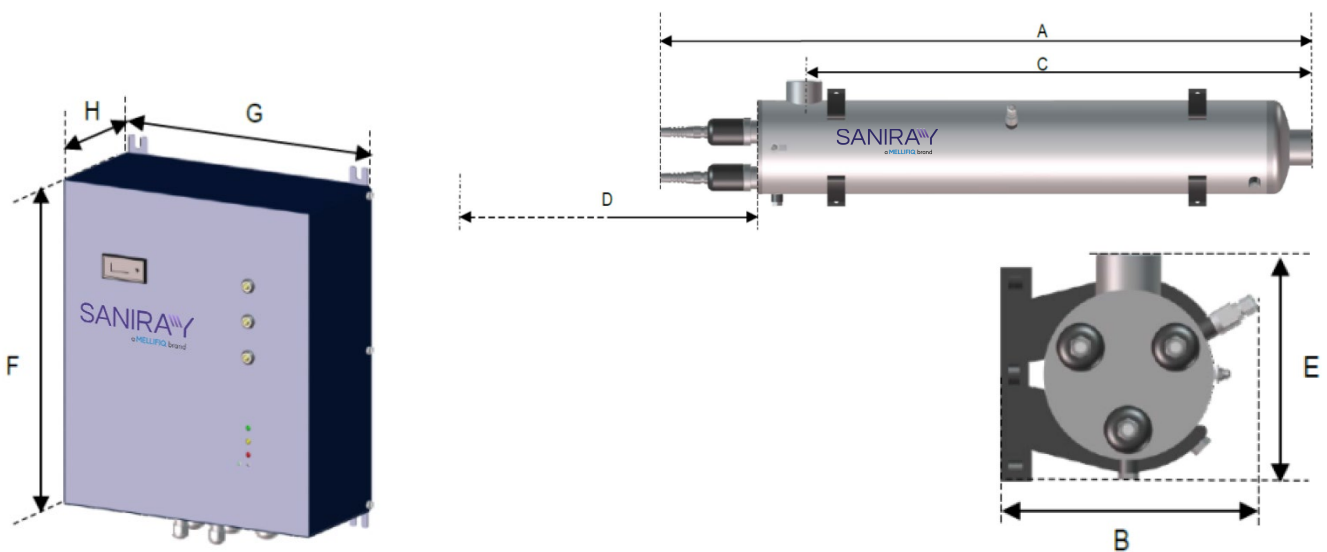
© Saniray

SANIRAY
a MELLIFIQ brand

Zeeron A series

Designation	Unit	Zeeron A1	Zeeron A2
Reactor			
A) Full length	mm	1064	1146
B) Width	mm	129	265
C) Fixation spacing	mm	868	901
D) Service spacing	mm	950	1040
E) Depth	mm	136	321
Type of connection	-	Male BSP thread	Male BSP thread
Connection	-	1"	4"
Position I/O	-	L	L
Cabinet			
F) Height	mm	320	515
G) Width	mm	270	270
H) Depth	mm	121	121

DIMENSIONS



General description

Designation	Unit	Zeeron A1	Zeeron A2
Certifications/Approvals	-	CE, ACS, WRAS	CE, Chlorine approval Fr
Without manual cleaning	-	Yes	Yes
With manual cleaning	-	Not available	Not available
Environment of use			
Place	-	Indoors conditions	Indoors conditions
Minimum ambient Temperature	°C	+5	+5
Maximum ambient Temperature	°C	+40	+40
Maximum relative humidity	-	80% non condensating	80%
Water quality			
Water Temperature	°C	+10 to +35	+10 to +35
Transmittance range	%	>50%	70%
Reactor			
Material	-	SS316L	SS316L
Finishing	-	Sand Blasted	Sand Blasted, pickled and passivated
Dry weight	kg	4.8	20
Reactor volume	l	5	27
Drain in high point	-	Yes	Yes
Drain in low point	-	No	Yes
Max Service Pressure	bar	10	10

Designation	Unit	Zeeron A1	Zeeron A2
Cabinet			
Material	-	Painted steel	Painted steel
Cabinet/Reactor cable length	m	5	5
Weight	kg	4	8
Cabinet ventilating	-	No	Yes
Power supply	V	220-240	220-240
Frequency	Hz	50/60	50/60
Amperage	A	0,45-0,42	2,86-2,63
Cable Type/Gauge	mm ²	3G0,75	3G0,75
Power	W	99	593
Protection	-	Fuse 2A	Fuse 4A
Ingress Protection	-	IP54	IP54
UV Lamps			
Number of lamps	-	1	6
Lamp power at ballast	W	87	87
Type of lamp	-	High Output	High Output
Technology	nm	Low pressure 254	Low pressure 254
UV lamp power	W	28	28
Total UV power	W	28	168
Lifetime	h	13000	13000



Elektravägen 53
SE-126 30 Hägersten, Sweden
+46 10 252 30 00
www.mellifiq.com

Monitoring

Designation	Zeeron A1	Zeeron A2
Lamp indicator	Indicator (s) indicating that the lamp (s) are working	Indicator (s) indicating that the lamp (s) are working
ON/OFF switch	Switch to turn the unit on and off	Switch to turn the unit on and off
Hour counter	Counts the number of hours of operation of the lamp (s)	Counts the number of hours of operation of the unit
Interface	-	Monitor UV with LEDs
Teflon UV sensor	-	Enables reading the UVC radiation output of the 0-10V device
LED pre-alarm	-	Orange LED indicating a low UV level
LED alarm	-	Red LED indicating a low UV level
Main-alarm dry contact UV irradiance	-	Potential free alarm contact. The contact opens when the UV level is too low.
Data outputs contact	-	5-60Vdc, 5-230Vac, 1A

Possible options

Options	Zeeron A1	Zeeron A2
Upstream/downstream sampling valves	OPT003103	OPT015582
Inlet/Outlet chemical cleaning	OPT014969	OPT014970
PN16 bars without flanges	OPT012333	OPT014972
Flange connections (see grid)	Yes	Yes
SMS connections complete DN63	OPT014973	-
Fittings complete CLAMP max dn65	OPT014974	OPT014974
110V 50-60Hz	OPT014966	OPT014962
IP55 plastic cabinet	OPT012331	-
Contact defect lamp	OPT014952	OPT014952
Contact status ON/OFF	OPT015015	OPT015015
Stainless steel 304 cabinet	OPT014953	-
Restart delay	-	-



© Saniray

SANIRAY
a MELLIFIQ brand

Options	Zeeron A1	Zeeron A2
PC cabinet IP55 + Monitor with LED (PTFE sensor, contacts main and pre-alarm UV)	-	OPT014958
PC cabinet IP55 + M3 (UV Sensor + 4-20mA output, contacts general defect, pre-alarm UV and lamp fault, Remote control)	-	OPT014960
PTFE sensor replacement with SS316L sensor without measurement window	-	OPT014963
Temperature sensor (add OPT014959/OPT014967/OPT014960)	-	OPT006202
SS304 cabinet for MIII	-	OPT014954
Accessories		
Connections 3 pieces	-	KIT018941
CIP standard kit (PVC valves) (add OPT014970)	-	CIP0008-003
CIP all stainless steel kit (add OPT014970)	-	CIP0008-007
Multi reactor PVC fittings kit	-	KIT018891
Multi reactor stainless steel fittings kit	-	KIT018893
Vertical support kit	-	KIT018960