

Oxygen  
concentrator

Elektravägen 53  
SE-126 30 Hägersten, Sweden  
+46 10 252 30 00  
www.mellifiq.com

# Onyx series

Specifically designed for reliability, energy efficiency, and ease of use, there are thousands of Onyx PSA Oxygen generators currently in use throughout the world. The Onyx's reliability, low noise level, and ability to deliver up to 95.5% oxygen concentration make it a perfect fit for many applications.



## Specification

Product characteristics	Onyx	Onyx Ultra
Product flow <sup>1</sup>	6 LPM (12 SCFH)	10 LPM (21 SCFH)
Product pressure	62 kPa (9 psig)	138 kPa (20 psig)
Product concentration (nominal)	93%	93%
Product dew point	-73°C (-100°F)	-73°C (-100°F)
Dimensions (W x D x H) (nominal)	400 x 370 x 720 mm (16 x 15 x 29 in)	400 x 370 x 720 mm (16 x 15 x 29 in)
Weight	23 kg (51 lb) [Add 0.4 kg (1lb) for 220 V ~ unit]	25 kg (56 lb) [Add 0.4 kg (1 lb) for 220 V ~ unit]
<b>Physical connection</b>		
Product gas outlet	1/4" FNPT JIC-8	1/4" FNPT JIC-8
Control power	120 V ~ ±10%, 60 Hz, 5.0 A	120 V ~ ±10%, 60 Hz, 6.0 A
Requirements	220 V ~ ±10%, 50 Hz, 2.5 A	220 V ~ ±10%, 50 Hz, 3.0 A
(Single phase)	220 V ~ ±10%, 60 Hz, 2.3 A	220 V ~ ±10%, 60 Hz, 2.8 A
<b>Ambient operating conditions</b>	Locate the oxygen generator in a well-ventilated area that is protected from weather elements and remains between 4 °C (40 °F) and 44 °C (112 °F)	

<sup>1</sup> LPM (Liters per minute) gas measured at 1 atmosphere and 21 °C / SCF (Standard cubic foot) gas measured at 1 atmosphere and 70 °F.



© Ozonetech

**ozonetech.**  
a MELLIFIQ brand

# Oxygen concentrator

## Typical applications

### Manufacturing

- Jewelry/brazing/soldering

### Artistic

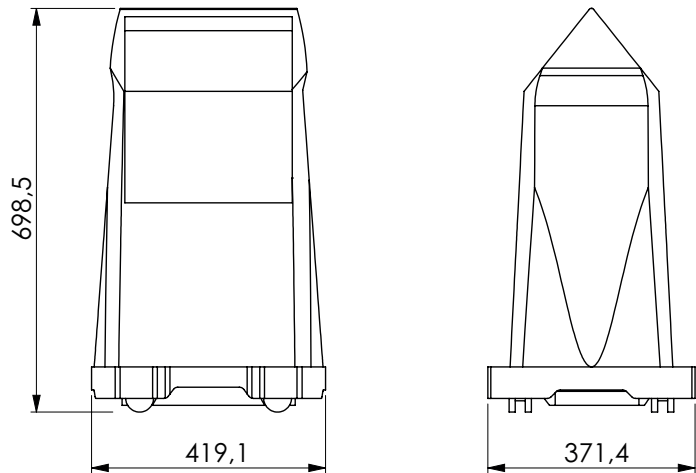
- Glass work/blowing

### Environmental

- Ozone (generator) feed gas
- Environmental remediation

### Additional

- Fish farming
- Oxygen bar
- Exercise with oxygen (EWOT)
- Wellness/spa



*Note: All dimensions are nominal.*

## Features

- Self-contained (internal air compressors)
- Transportable roller base design
- High-impact polystyrene enclosure
- Easy to install and maintain
- Low operating cost
- Time-proven reliability
- Advanced engineering

Elektravägen 53  
SE-126 30 Hägersten, Sweden  
+46 10 252 30 00  
[www.mellifiq.com](http://www.mellifiq.com)



© Ozonotech

**ozonotech.**  
a MELLIFIQ brand

# Oxygen concentrator

## Ordering information

Model	Part number	Description
Onyx	AS016-1	120 V ~ ±10%, 60 Hz
	AS016-2	220 V ~ ±10%, 50 Hz
	AS016-6	220 V ~ ±10%, 60 Hz
Onyx Ultra	AS121-1	120 V ~ ±10%, 60 Hz
	AS121-2	220 V ~ ±10%, 50 Hz
Shipping information	Onyx	Onyx Ultra
Class	92.5	92.5
Commodity classification number	8421.39.8040	8421.39.8040
Dimensions (W x D x H)	440 x 400 x 850 mm (17 x 16 x 34 in)	440 x 400 x 850 mm (17 x 16 x 34 in)
Gross weight	27 kg (60 lb)	30 kg (66 lb)

An unprotected or inadequately ventilated environment, or improper control power may cause damage to the oxygen generator. All performance ratings based on an ambient temperature up to 38 °C (100 °F), up to 304.8 meters (1,000 feet) elevation, and 80% relative humidity.

Elektravägen 53  
SE-126 30 Hägersten, Sweden  
+46 10 252 30 00  
[www.mellifiq.com](http://www.mellifiq.com)



© Ozonotech

**ozonotech.**  
a MELLIFIQ brand