

Oxygen  
concentrator

Elektravägen 53  
SE-126 30 Hägersten, Sweden  
+46 10 252 30 00  
www.ozonetech.com

# Workhorse series

Workhorse oxygen concentrators simplify the process of oxygen system selection and setup. Simply plug the unit in and turn on for high concentrated oxygen delivered quietly and reliably. Each Workhorse is the result of the same state-of-the-art engineering that produced the Advanced Technology Fractionators® (ATF). The necessary components have been meticulously matched to optimize performance. The Work-horse is intended to provide a turnkey solution when time or resources are not available to engineer a custom system. These PSA systems are economical and maintenance-free.



## Typical applications

### Medical

- Hospital systems

### Manufacturing

- Jewelry/brazing/soldering

### Artistic

- Glass work/blowing

### Environmental

- Ozone (generator) feed gas
- Environmental remediation
- Waste/water treatment

### Additional

- Fish farming
- Cosmetic

## Features

- Fully integrated controls to ensure reliable oxygen production
- Rugged, environmentally tolerant design
- Compact and lightweight for maximum design flexibility
- Eliminates the need for an external product tank
- Constant delivery pressure
- Low operating cost
- Optional oxygen concentration monitor



© Ozonetech

**ozonetech.**  
a MELLIFIQ brand

# Oxygen concentrator

## Specification

Product characteristics	Workhorse-8	Workhorse-12	Workhorse-15
<b>Performance data</b>			
Product flow <sup>1</sup>	4 LPM (8 SCFH)	6 LPM (12 SCFH)	7 LPM (15 SCFH)
Oxygen delivery pressure	62 kPa (9 psig)	62 kPa (9 psig)	48 kPa (7 psig)
<b>Product concentration (nominal)</b>	90-95%	90-95%	90-95%
<b>Product dew point</b>	-73 °C (-100 °F)	-73 °C (-100 °F)	-73 °C (-100 °F)
<b>Dimensions (W x D x H) (nominal)</b>	36 x 46 x 36 cm (14 x 18 x 14 in)	36 x 46 x 36 cm (14 x 18 x 14 in)	36 x 46 x 55 cm (14 x 18 x 22 in)
<b>Weight</b>	20 kg (43 lb)	21 kg (47 lb)	22 kg (49 lb)
<b>Physical connections</b>			
Product gas outlet	1/8" FNPT	1/8" FNPT	1/8" FNPT
<b>Ambient operating conditions</b>	Locate the oxygen concentrator system in a well-ventilated area that is protected from weather elements and remains between 4 °C (40 °F) and 54 °C (130 °F) inside room or operating enclosure; -18 °C (0 °F) and 60 °C (140 °F) in storage		
<b>Control power requirements (single phase)</b>	120 V ~ ±10%, 60 Hz or 208-240 V ~ ±10%, 60 Hz or 220-240 V ~ ±10%, 50 Hz		
<b>Typical power consumption</b>	Approximately 450 W	Approximately 450 W	Approximately 450 W

<sup>1</sup> LPM [Liters per minute] gas measured at 1 atmosphere and 21 °C / SCF [Standard cubic foot] gas measured at 1 atmosphere and 70 °F

## The ATF advantage

ATF oxygen modules incorporate proven pressure swing adsorption (PSA) principles into a unique patented design, which allows these systems to be compact, efficient, rugged, and lower in cost. The ATF module offers unparalleled design flexibility and enables applications where on-site/on-board oxygen generation was previously impractical.

A patented single rotary distribution valve built into the ATF module is continuously rotated at low speed by a small motor. The valve is maintenance free, self-cleaning, insensitive to contamination, and invulnerable to wear. It sequentially directs the flow of compressed air to a group of four sieve beds (adsorption), while at the same time another four beds are purged into the atmosphere through the valve (desorption). The remaining four of the twelve beds are interconnected through the valve to equalize pressure as the sieve beds sequentially transition between adsorption and desorption. The small amplitude pressure swings generated by the ATF's twelve sieve beds eliminate loud noise pulses, eliminate the need for a pressure regulator, and reduce compressor wear.

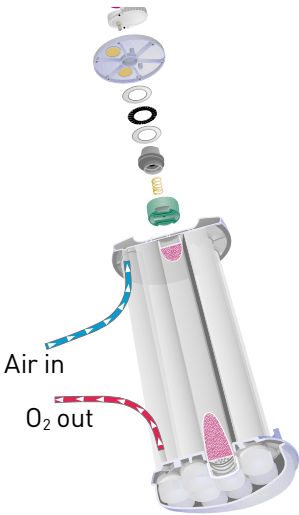
Elektravägen 53  
SE-126 30 Hägersten, Sweden  
+46 10 252 30 00  
[www.ozonotech.com](http://www.ozonotech.com)



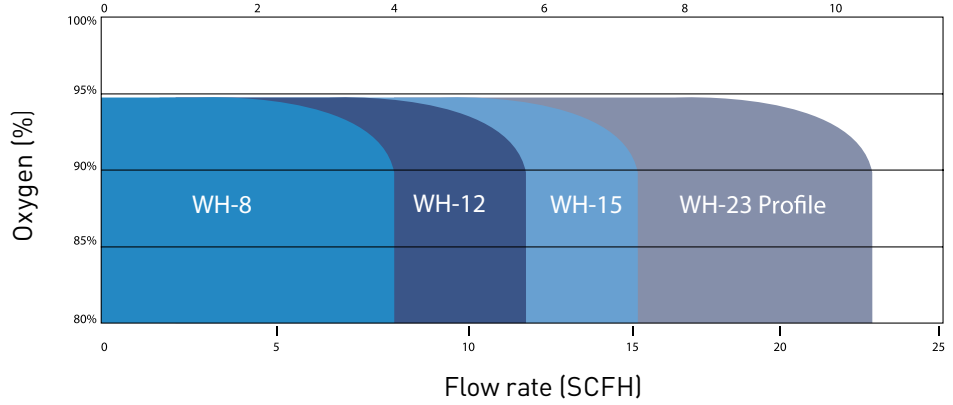
© Ozonotech

**ozonotech.**  
a MELLIFIQ brand

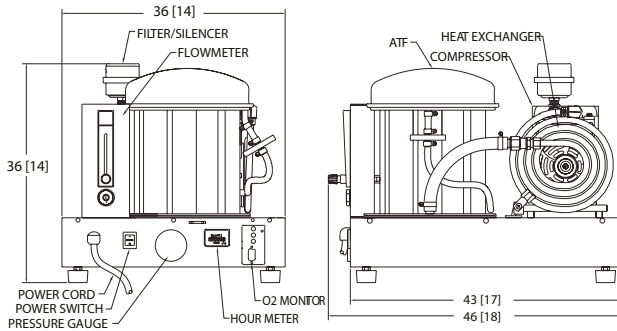
# Oxygen concentrator



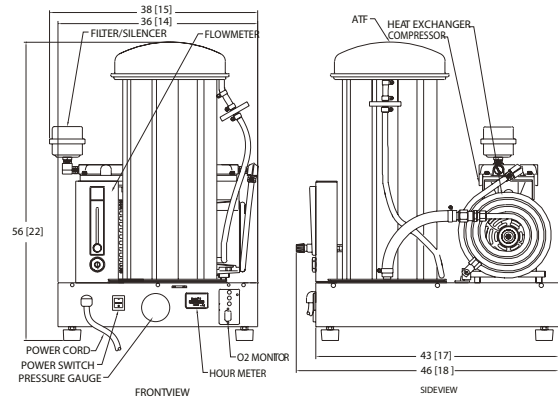
Performance  
Flow rate (SLPM)



Workhorse-8 / Workhorse-12



Workhorse-15



Note: Dimensions are in cm (inches).  
All dimensions are nominal.

Elektravägen 53  
SE-126 30 Hägersten, Sweden  
+46 10 252 30 00  
www.ozonotech.com

# Oxygen concentrator

## Ordering information

Model	Part number		Description	
Workhorse-8	5665N-SEQ		120 V ~ ±10%, 60 Hz	
	5679N-SEQ		208-240 V ~ ±10%, 60 Hz	
	5673N-SEQ		220-240 V ~ ±10%, 50 Hz	
Workhorse-12	5685N-SEQ		120 V ~ ±10%, 60 Hz	
	5699N-SEQ		208-240 V ~ ±10%, 60 Hz	
	5693N-SEQ		220-240 V ~ ±10%, 50 Hz	
Workhorse-15	5719N-SEQ		120 V ~ ±10%, 60 Hz	
	5735N-SEQ		220-240 V ~ ±10%, 60 Hz	
	5727N-SEQ		220-240 V ~ ±10%, 50 Hz	
Accessories (contact factory) Example: XXXXN-1-SEQ	Assembly	Pressure gauge	Oxygen concentration monitor	Cover
	No dash#			
	-1	Yes		
	-2	Yes		Yes
	-3		Yes	
	-4		Yes	Yes
	-5	Yes	Yes	
	-6	Yes	Yes	Yes
-7			Yes	
Shipping Information	Workhorse-8	Workhorse-12	Workhorse-15	
Class	92.5	92.5	92.5	
Commodity classification number	8421.39.8040	8421.39.8040	8421.39.8040	
Dimensions (W x D x H)	46 x 59 x 46 cm (18 x 23 x 18 in)	46 x 59 x 46 cm (18 x 23 x 18 in)	46 x 59 x 66 cm (18 x 23 x 26 in)	
Gross weight	23 kg (50 lb)	25 kg (54 lb)	27 kg (59 lb)	

An unprotected or inadequately ventilated environment, or improper control power may cause damage to the oxygen generator not covered under warranty. All performance ratings based on an ambient temperature up to 38 °C (100 °F), up to 304.8 meters (1,000 feet) elevation, and 80% relative humidity.

Elektravägen 53  
SE-126 30 Hägersten, Sweden  
+46 10 252 30 00  
www.ozonotech.com



© Ozonotech

**ozonotech.**  
a MELLIFIQ brand